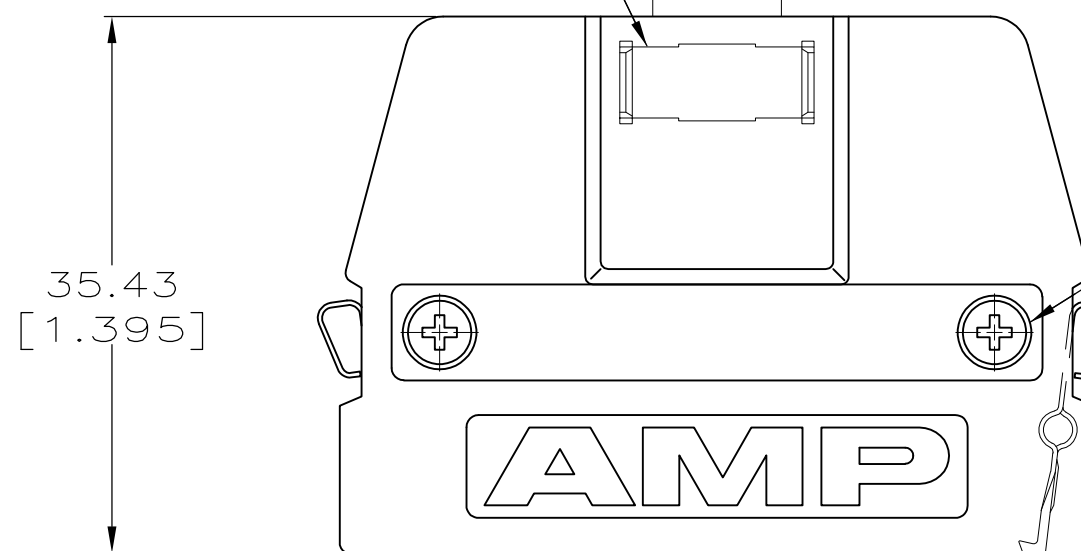


THIS DRAWING IS UNPUBLISHED. RELEASED FOR PUBLICATION
 © COPYRIGHT - By - ALL RIGHTS RESERVED.

LOC	DIST	REVISIONS					
GP	00	P	LTR	DESCRIPTION	DATE	DWN	APVD
		P		REVISED PER ECO-11-004835	11MAR11	RK	HMR

STRAIN RELIEF STAPLE (1 SUPPLIED)
 MATERIAL: STEEL
 FINISH: BRIGHT TIN OVER NICKEL

CABLE SUPPLIED BY CUSTOMER
 SEE TABLE FOR DIAMETER



MACHINE SCREW (2 SUPPLIED)
 #2-56 UNC X 6.35 [.250]

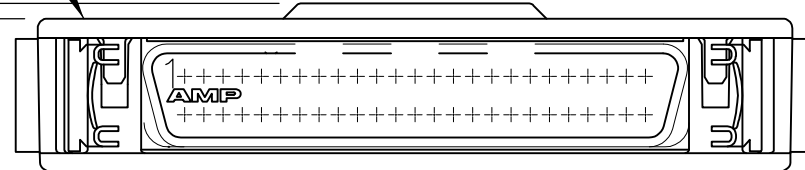
SPRING LATCH (2 SUPPLIED)
 MATERIAL: STAINLESS STEEL

CONNECTOR (MUST BE PURCHASED SEPARATELY)

UPPER BACKSHELL (1 SUPPLIED)
 MATERIAL: ZINC
 FINISH: NICKEL OVER COPPER

12.19 [.480]

10.16 [.400]



LOWER BACKSHELL (1 SUPPLIED)
 MATERIAL: ZINC
 FINISH: NICKEL OVER COPPER

**COPYRIGHT 2005
 TE CONNECTIVITY CORP
 ALL RIGHTS RESERVED**

2	5749193-2
1	5749193-1
CABLE DIA	PART NUMBER

- 1 9.02 [.355] MAX CABLE DIAMETER.
- 2 10.16 [.400] MAX CABLE DIAMETER.
- 3. PARTS PACKAGED AS A UNIT KIT.

THIS DRAWING IS A CONTROLLED DOCUMENT.		DWN G.PETERS 25AUG05	STE TE Connectivity			
DIMENSIONS: INCHES		CHK S.SHUEY 25AUG05				
TOLERANCES UNLESS OTHERWISE SPECIFIED:		APVD M.WALMSLEY 25AUG05	NAME			
0 PLC ± -		PRODUCT SPEC	KIT, UNASSEMBLED, 50 POSITION, STRAIGHT EXIT, UNKEYED, AMPLIMITE .050 Seies			
1 PLC ± -		APPLICATION SPEC	SIZE	CAGE CODE	DRAWING NO	RESTRICTED TO
2 PLC ± -		WEIGHT	A3	00779	C-5749193	-
3 PLC ± 0.38 [.015]		CUSTOMER DRAWING	SCALE	SHEET	REV	
4 PLC ± -			1:1	1 OF 1	P	
ANGLES ± -						
FINISH						